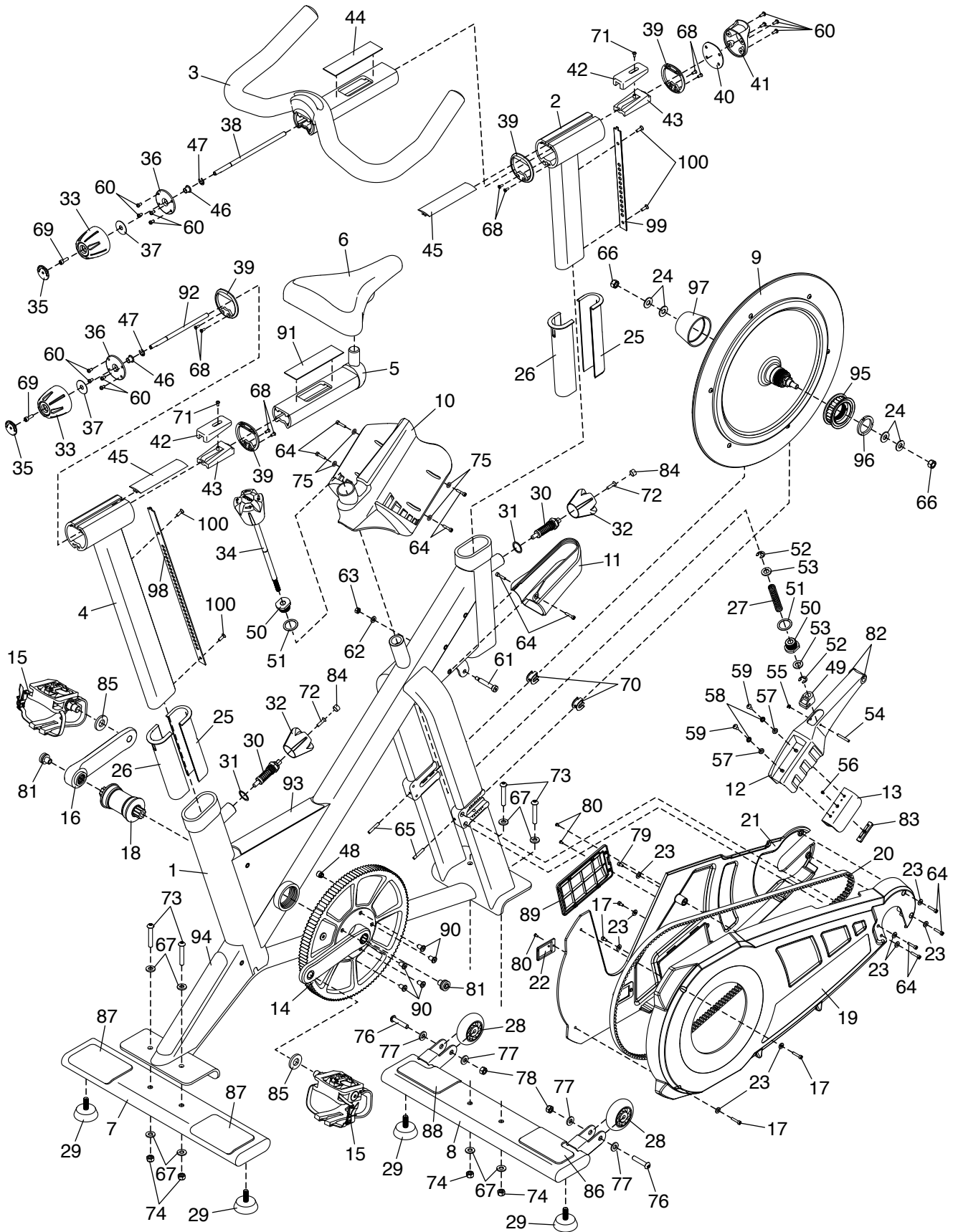


EXPLODED DRAWING

Model No. FMEX91412.0 R0812A



PARTS LIST S 11.9, Model No. FMEX82910.0 R0711A

Key No.	Qty Used	Item Description
1	2	Medium E-clip
2	1	Handlebar Post
3	1	Handlebar
4	1	Seat Post
5	1	Seat Carriage
6	1	Seat
7	1	Rear Stabilizer
8	1	Front Stabilizer
9	1	Flywheel
10	1	Accessory Tray
11	1	Resistance Cover
12	1	Resistance Arm
13	1	Eddy Magnet
14	1	Right Crank Arm
15	1	Right Pedal
16	1	Left Crank Arm
17	1	Left Pedal
18	1	Bottom Bracket
19	1	Outer Shield
20	1	Chain
21	1	Inner Shield
22	1	Sensor Cover
23	1	Seat Post Selector
24	1	Handlebar Post Selector
25	2	Front Frame Bushing
26	2	Rear Frame Bushing
27	4	Stabilizer Cap
28	2	Wheel
29	4	Leveling Foot
30	2	Pin Assembly
31	2	20mm x 25mm Washer
32	2	Post Knob
33	2	Slider Knob
34	1	Resistance Knob
35	2	Knob Cap
36	2	Wedge Cap
37	2	M8 x 30mm Washer
38	2	Adjustment Rod
39	4	Ring Cap
40	1	Handlebar Retainer
41	1	Handlebar Cap
42	2	Upper Wedge
43	2	Lower Wedge
44	2	Sleeve
45	2	Post Shield

46	2	Cap Bushing
47	1	Frame
48	1	Sensor Magnet
49	1	Resistance Block
50	2	M22 Sleeve Nut
51	2	M22 x 30mm Washer
52	2	Large E-clip
53	2	11mm x 20mm Washer
54	1	Block Pin
55	2	Small E-clip
56	1	M3 x 6mm Flat Head Patch Screw
57	2	M5 Washer
58	2	M5 Star Washer
59	2	M5 x 10mm Button Screw
60	12	M4 x 8mm Button Patch Screw
61	1	M8 x 51mm x M6 Shoulder Bolt
62	1	M6 x 18mm Hex Screw
63	1	M6 Locknut
64	10	M4 x 20mm Socket Screw
65	2	M5 x 30mm Set Screw
66	2	3/8" Nut
67	10	M10 Washer
68	8	M4 x 10mm Flat Head Patch Screw
69	2	M5 x 16mm Socket Patch Screw
70	4	M5 x 16mm Flat Head Patch Screw
71	2	M4 x 8mm Cap Screw
72	2	M4 x 20mm Flat Head Patch Screw
73	4	M10 x 50mm Button Patch Bolt
74	4	M10 Locknut
75	8	M4 x 10mm Cap Screw
76	2	M6 x 40mm Button Patch Bolt
77	4	M6 Washer
78	2	M6 Nut
79	5	M4 x 7mm Socket Screw
80	1	Sensor Cover Screw
81	2	Crank Screw
82	2	Resistance Bushing
83	1	Brake Pad
84	2	Post Knob Cap
85	1	Tension Spring
86	4	M4 Washer
87	2	Pedal Washer
88	1	Right Front Stabilizer Cover
89	2	Rear Stabilizer Cover
90	1	Left Front Stabilizer Cover